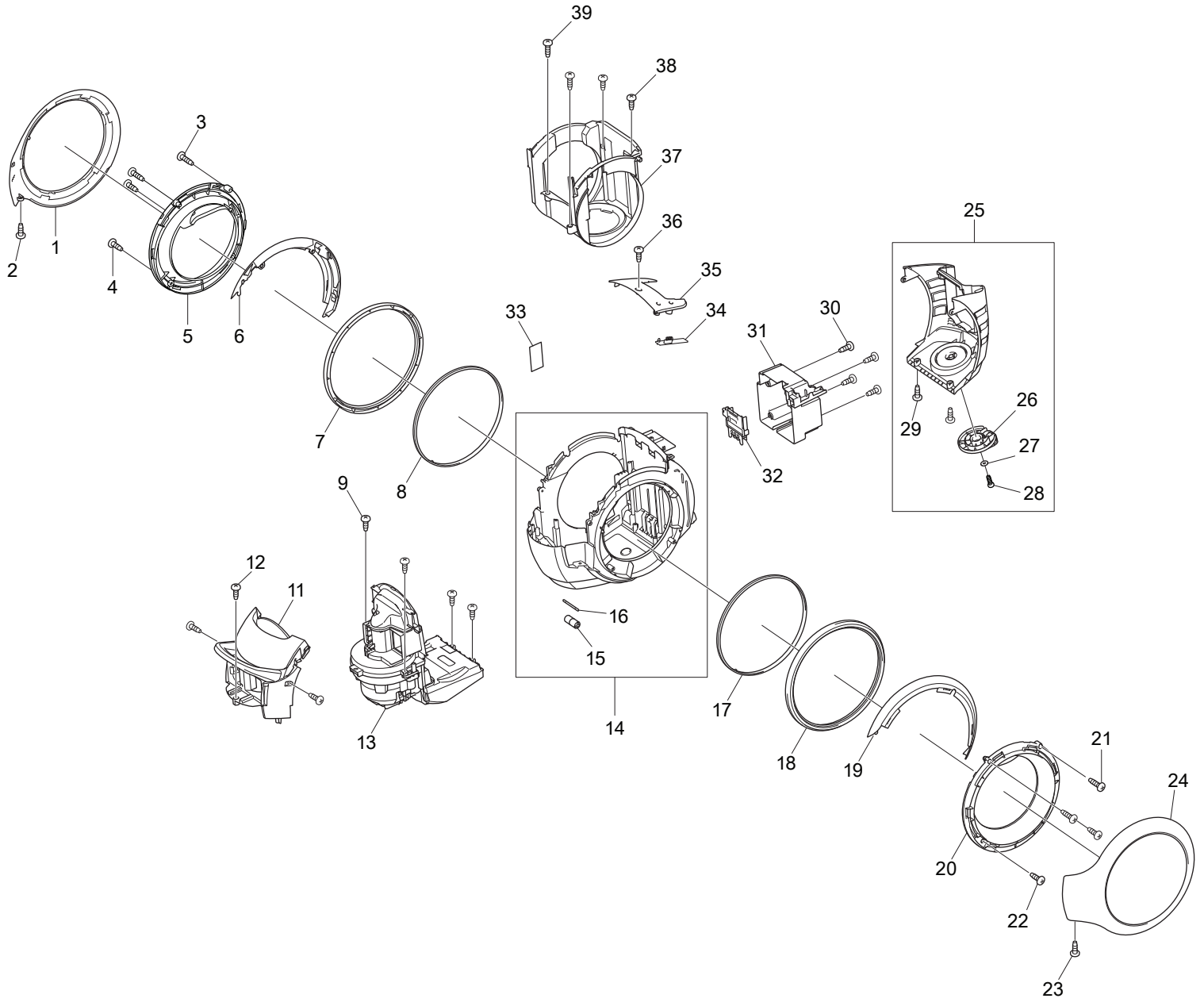
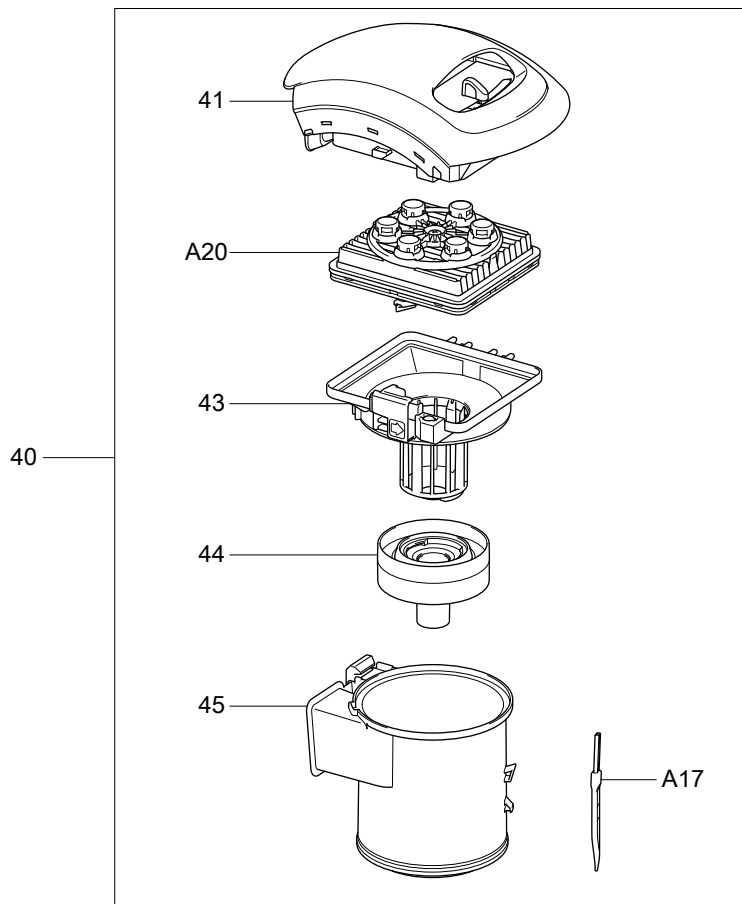
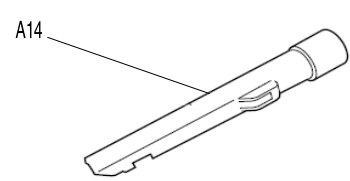
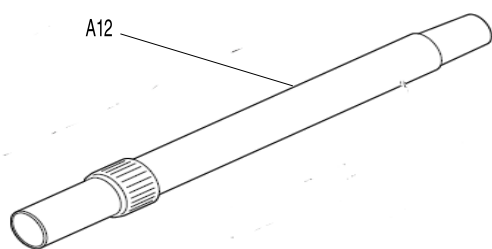
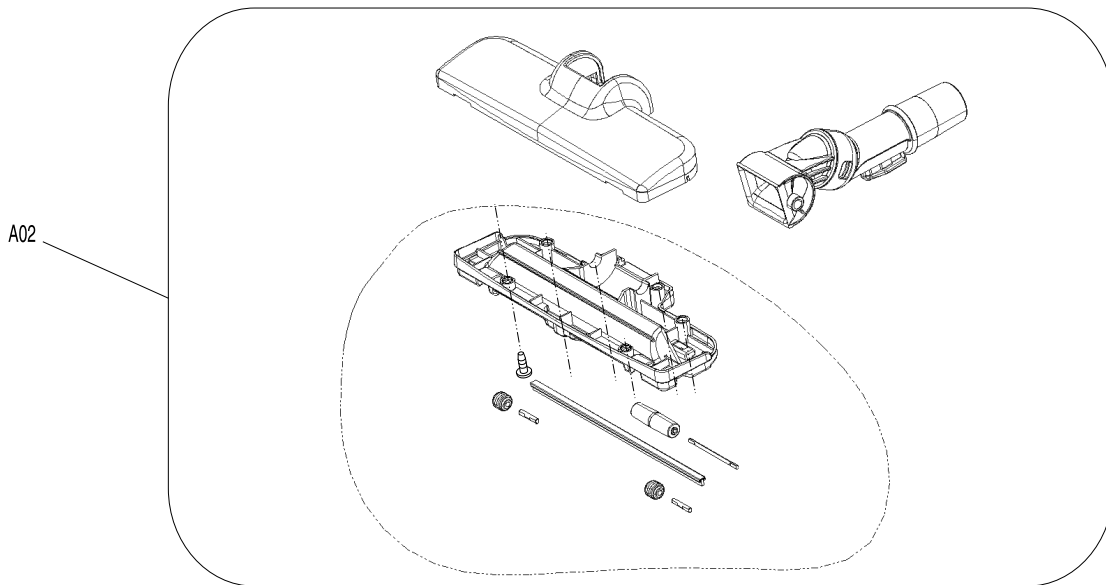
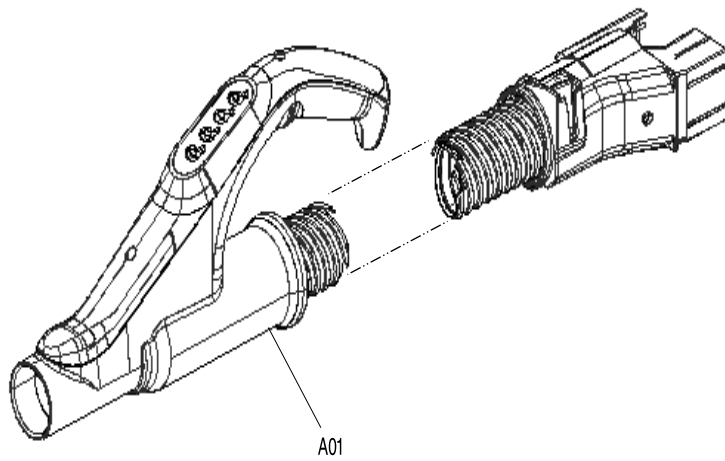




02 - 2016
DCL501Z
18V LXT Cyclone Cleaner







Item No	Type	Sub	Part No	Description	Qty	Unit
001			SH00000011	BODY DECORATION L	1	PC.
002			SH00000021	SCREW M4X12, BLACK	1	PC.
003			SH00000020	SCREW M4X16, SILVER	2	PC.
004			SH00000019	SCREW M4X12, SILVER	2	PC.
005			SH00000255	WHEEL COVER L	1	PC.
006			SH00000006	UPPER BODY L	1	PC.
007			SH00000002	WHEEL BASE	1	PC.
008			SH00000003	WHEEL GUIDE	1	PC.
009			SH00000019	SCREW M4X12, SILVER	4	PC.
011			SH00000015	DUCT COVER ASSY	1	PC.
012			SH00000019	SCREW M4X12, SILVER	3	PC.
014			SH00000005	LOWER BODY ASSY	1	PC.
		INC.		Item No. 15,16		
015			SH00000057	ROLLER F/LOWER BODY ASSY	1	PC.
016			SH00000047	ROLLER SHAFT F/LOWER BODY ASSY	1	PC.
017			SH00000003	WHEEL GIDE	1	PC.
018			SH00000002	WHEEL BASE	1	PC.
019			SH00000007	UPPER BODY R	1	PC.
020			SH00000256	WHEEL COVER R	1	PC.
021			SH00000020	SCREW M4X16 SILVER	2	PC.
022			SH00000019	SCREW M4X12, SILVER	2	PC.
023			SH00000021	SCREW M4X12, BLACK	1	PC.
024			SH00000257	MAIN TRIM	1	PC.
025			SH00000016	EXHAUST COVER ASSY	1	PC.
		INC.		Item No. 26-29		
026			SH00000048	FREE FRAME ASSY	1	PC.
027			SH00000049	WASHER	1	PC.
028			SH00000019	SCREW M4X12, SILVER	1	PC.
029			SH00000021	SCREW M4X12, BLACK	2	PC.
030			SH00000019	SCREW M4X12, SILVER	4	PC.
031			SH00000018	BATTERY HOLDER	1	PC.
032			643899-6	TERMINAL	1	PC.
033			SH00000004	SEAL TAPE	1	PC.
034			SH00000017	LED CIRCUIT ASSY, MK100	1	PC.
035	1		SH00000014	LED PANEL ASSY	1	PC.
	2		SH00000259	LED PANEL ASSY	1	PC.
036			SH00000019	SCREW M4X12, SILVER	1	PC.
037			SH00000008	INNER BODY	1	PC.
038			SH00000021	SCREW M4X12, BLACK	3	PC.
039			SH00000022	SCREW M4X16, BLACK	1	PC.
040	2		SH00000285	DUST CUP DK	1	PC.
		INC.		Item No. 41, 43-46, A20		
041			SH00000026	CUP COVER ASSY	1	PC.
043			SH00000028	CUP FRAME ASSY	1	PC.
044			SH00000029	DUST PLATE	1	PC.
045			SH00000031	LOWER DUST CUP ASSY	1	PC.
ACCESSORIES				- See Catalogue or visit www.makita.ca for more accessories -		
A01			SH00000034	P SUCTION HOSE ASSY	1	PC.
A02			SH00000058	FLOOR NOZZLE ASSY	1	PC.
A12			SH00000060	SCREW PIPE ASSY	1	PC.
A13			SH00000041	HOSE HOOK	1	PC.
A14			SH00000042	TURBINE CREVICE NOZZLE	1	PC.
A16			166124-3	SHOULDER BELT	1	PC.
A17			SH00000032	CLEANING BRUSH	1	PC.
A18			-----	18V LI-ION BATTERY		
A19			-----	BATTERY CHARGER		
A20	2		SH00000286	CUP FILTER DK	1	PC.